

Thank you for purchasing the Amp / Cabinet Selector! Please read this manual before using the switch.

#### WARNINGS

- This device is not designed to be switched under signal conditions.
- Dummy loads are rated at 55W and included as a precaution. Unused amps should be on standby or off.

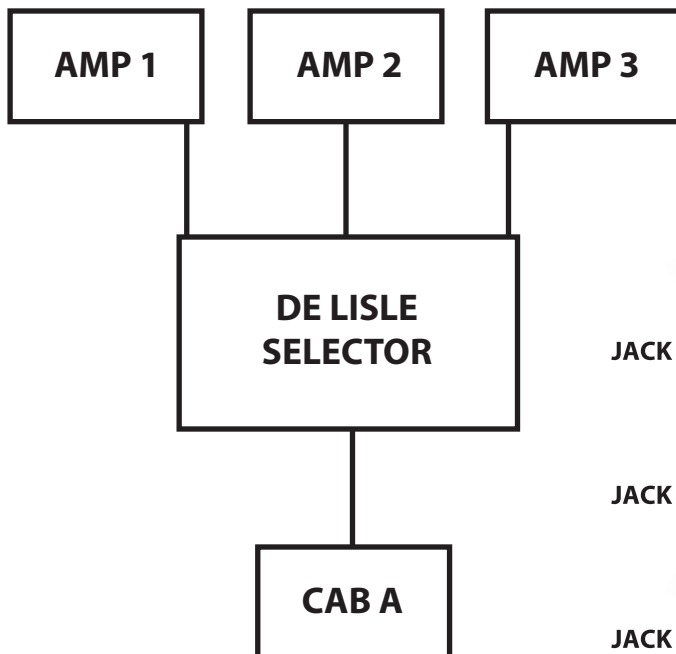
When used as an amp selector, unselected amps will see an internal load to help prevent damage. Similarly, when used as a cabinet selector, jacks with no cable inserted will be switched to an internal load. So, one can use a single cabinet or two cabinets without worrying about switching to an open cabinet jack.



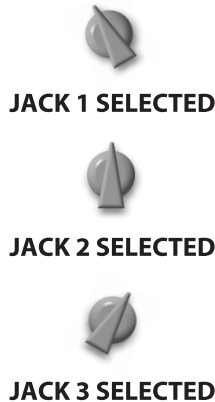
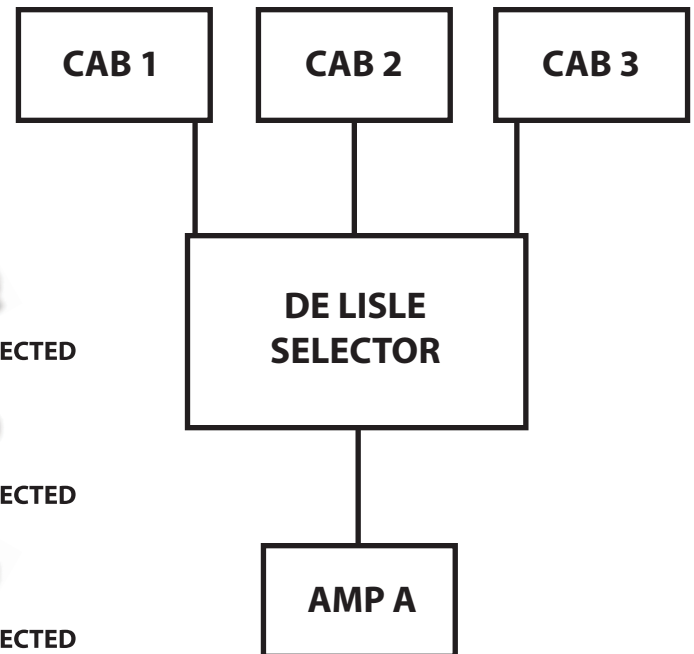
#### REAR PANEL



#### AMP SELECTOR CONFIGURATION



#### CAB SELECTOR CONFIGURATION



Pick up our ABC pedal for easier switching on the front end!  
<http://www.delisleguitar.com/index.php/pedals#ABC>